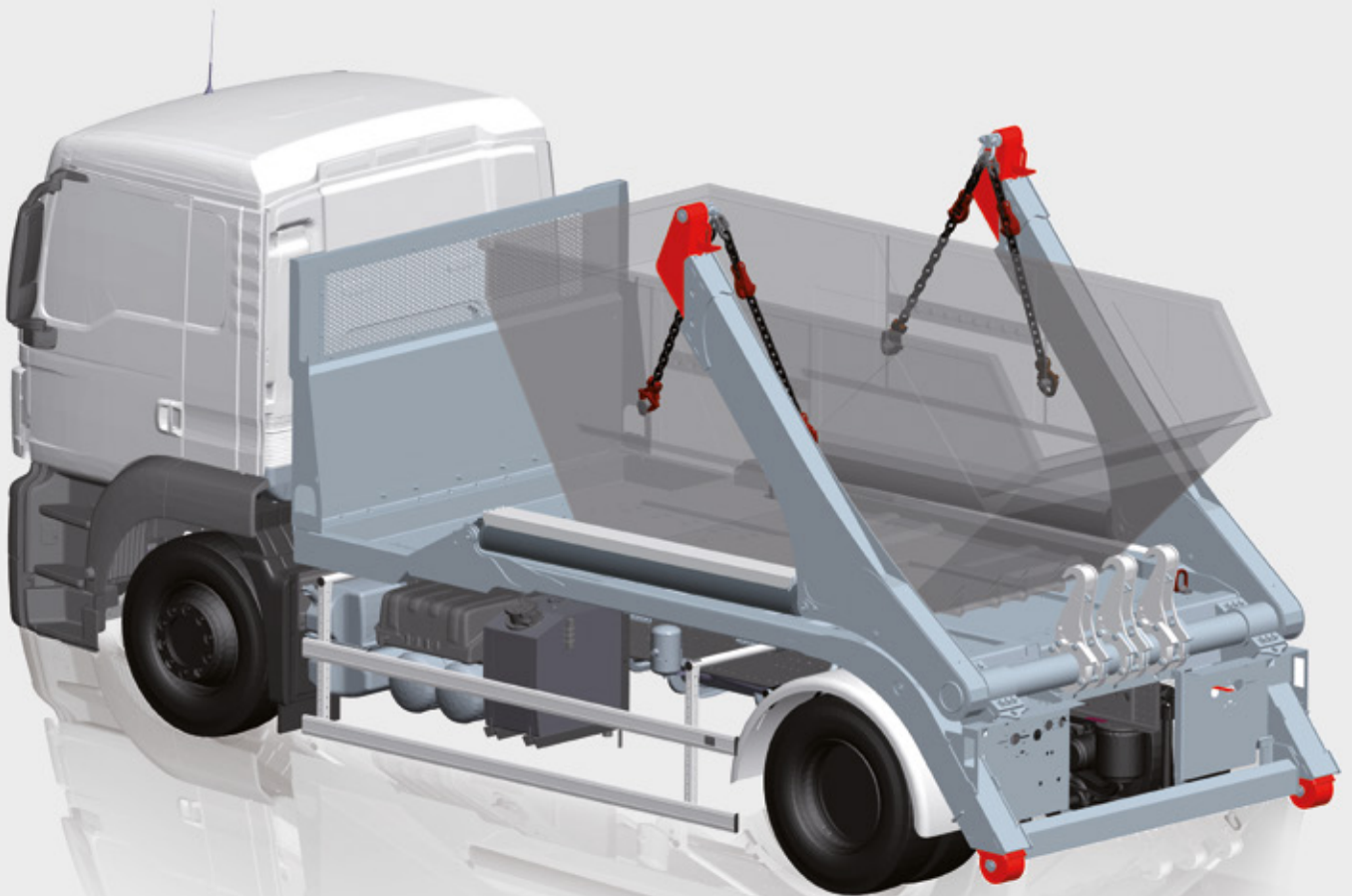


PS T 14-18

PALFINGER SKIPLOADER

LIFETIME EXCELLENCE



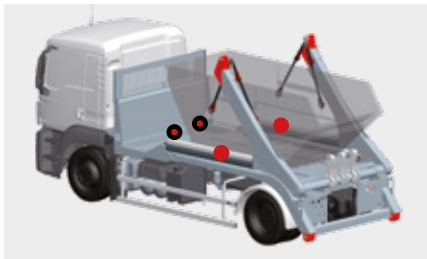
INNOVATIONS & PERFORMANCES TO HELP YOU

Strong premium quality products, made of durable components and innovative design is our promise. Palfinger's strength lies in its long term stability and in the commitment of its strong as well as highly qualified partner network.



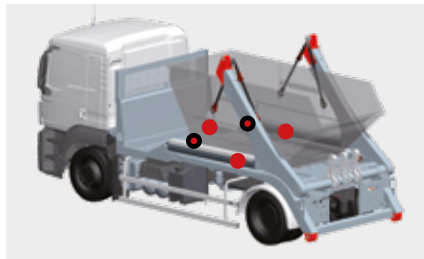
TEC - PERFORMANCE & COMFORT

- 2,530mm external width
- Max container width: 2000 mm
- Hydraulic container locking > Active lock
- External and radio remote control



ACTIVE LOCK

- 2 mechanical stops
- 2 hydraulic locks



COMFORT LOCK

- 2 mechanical stops
- 3 hydraulic locks

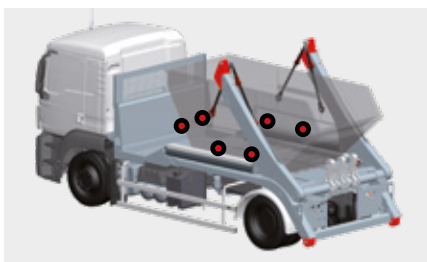


INTEGRAL LOCK

- 2 mechanical stops
- 4 hydraulic locks

SLD - ROBUST & EASY TO USE

- 2,440mm external width
- Max container width: 1900 mm
- Mechanical container stops > Classic container stops
- External control



CLASSIC container stop

- 6 mechanical stops

UNITS	TRUCK GVW
PST 14	18 – 21 tons
PST 18	21 – 26 tons

14 t: 3.000 to 4.500 m

18 t: 3.000 to 5.000 m



QUALITY, RELIABILITY & INNOVATION

To ensure product reliability, Palfinger conducts testing and evaluation in the harshest of climates. High-performance, cost-effective, and reliable components maximize user experience.

- Bi-speed & rapid motion
- High tipping
- Synthetic wear plate guiding on telescopic arms and stabilizers
- POP & SAM
- Front screen and deep netbox
- Front box cover
- Steel corrosion resistance floor (Magnelis®) or aluminum floor
- Truck communication with start / stop engine & auto RPM

SOLUTIONS FOR YOUR SAFE OPERATION

Perfect positioning and locking of the container on the platform. Its loading and container positioning is more secure.

- Rear access steps with handrail
- PALCOVER sheeting system
- Hydraulic container locking
- Secured chain shortener
- Overload alert
- Integrated under-run protection (URP)
- TÜV certified
- Tipping hook with pneumatic safety latch
- 6 lashing points to secure various loads
- Safetymirror

USER FRIENDLY IS OUR PRIORITY

Easier access to the platform and settings simplify operation for the user in all situations. An ergonomic control offers high user comfort.

- All possible control combinations:
 - Radio remote control and external control
 - Cab control and external control
 - Left or right external control
- Independent or simultaneous stabilizers & telescopic arm movements
- Container stops with Autolock system, easy to move one-handed
- Chain storage hooks on telescopic arms

FLEXIBILITY & SERVICE FRIENDLY

A wide choice of options are available to meet all expectations and needs for your specific application.

- Different types of stabilizers:
 - Fixed
 - Articulated
 - Roller
- All kinds of chains : lifting chains, secured lifting shackles or plate lifting shackles, chain shorteners..
- Specific applications : short or long arm, lashing points.

